



KRC-320

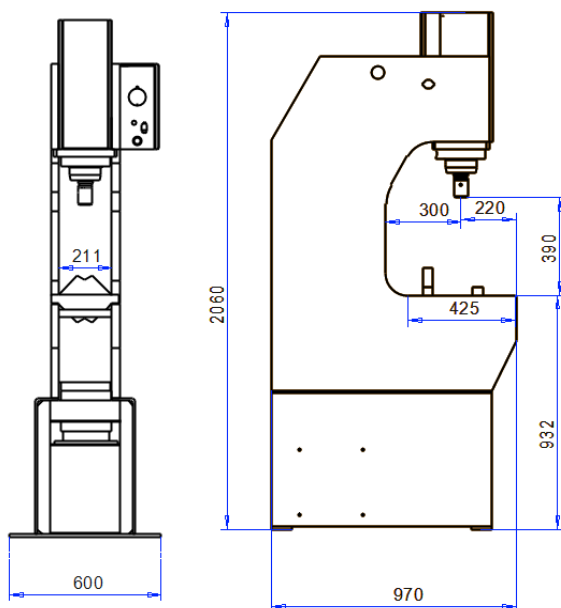
KRC-320 is very compact and durable motorized C-frame press. This model is suitable for many different works with deep 300 mm throat depth. Power pack located inside the press body.

KRC-320 manufacture in Seinäjoki, Finland as all Vakomet presses.

Specifications:

- Pressure force 320 kN (32ton)
- Adjustable force
- Working speed 9 mm/s, Return speed 12 mm/s
- Stroke 400 mm
- Piston head
- Force gauge
- V-blocks
- Motor power 3 kW
- Weight 760 kg

Dimensions:





VAKOMET

Seinäjoki
Rajatie 46
FIN-60101 Seinäjoki

Sales +358 50 5166425

Vaasa
Laturintie 4
FIN-65101 Vaasa

Sales +358 44 550 2985

Contact via email:
info@vakomet.fi