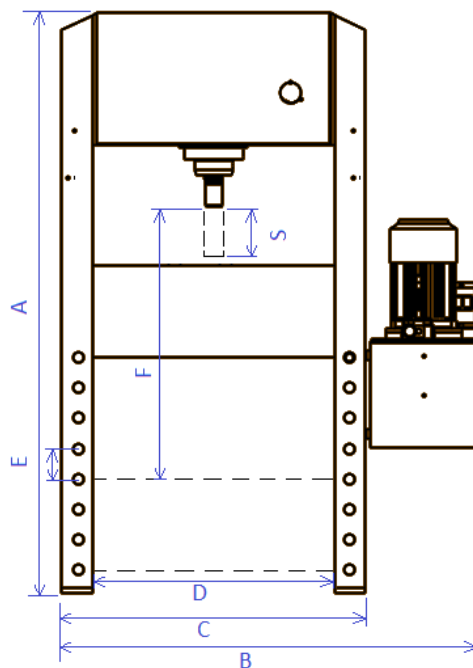
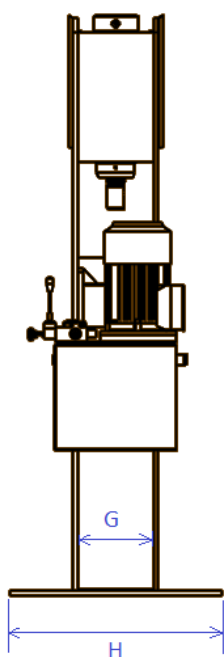




# KR400

- Workshop press with motorised pump unit
- Max. pressing force 40ton
- Adjustable pressing force (4-40t)
- Double acting cylinder
- Pressing speed 9 mm/s, return speed 12 mm/s
- Stroke 300 mm
- Electric motor 4 kW
- Set of V-blocks
- Force gauge 0-400 kN
- Accessory for adjusting the table includes
- Reservoir 40 liters
- Weight about 475 kg
- Built in accordance with the latest safety and CE specifications.



A	1910
B	1400
C	1000
D	800
E	100
F	700
G	250
H	800
S	300



### Optional accessories:

- Polycarbonate press guard
- Pedal control
- Adjustable pressing speed
- Press brake tool

