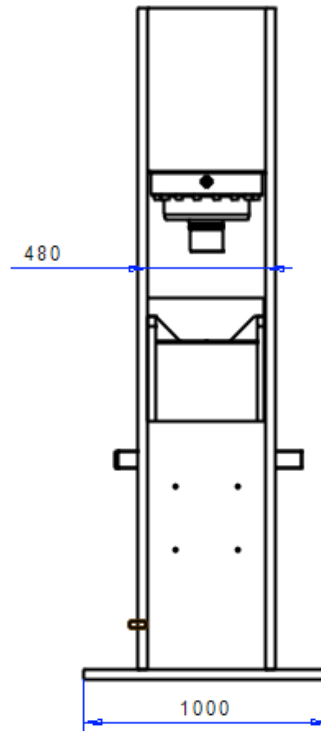
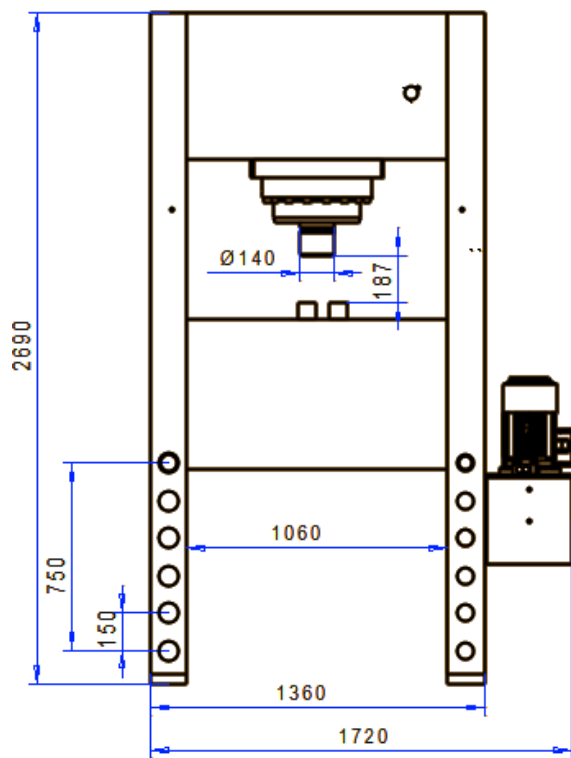




## KR2000

- Workshop press with motorised pump unit
- Max. pressing force 200ton
- Adjustable pressing force (10-200t)
- Double acting cylinder
- Approach speed 7,5 mm/s
- Pressing speed 2,5 mm/s
- The approach speed automatically shuts off when the force exceed 50 tons
- Approach speed is possible to turn off manually
- Return speed 9,5 mm/s
- Stroke 400 mm
- Electric motor 5,5 kW
- Set of V-blocks
- Force gauge 0-2000 kN
- Accessory for adjusting the table includes
- Reservoir 65 liters
- Weight about 2300 kg
- Built in accordance with the latest safety and CE specifications.



### Optional accessories:

- Polycarbonate press guard
- Pedal control
- Adjustable pressing speed
- Press brake tool

